

Junior FFA Quiz Bowl Career Development Event



New York FFA
Association

DESCRIPTION:

Junior FFA members answer FFA and general agriculture questions in a head to head tournament contest to be held annually at the New York State FFA Convention.

OBJECTIVES:

Students will:

1. Answer questions pertaining to agriculture and FFA.
2. Gain knowledge as young members to carry with them through their high school years.
3. Understand the history and principles of FFA.
4. Demonstrate sportsmanship and team building skills.

RULES:

1. Contestants:

- a. It is highly recommended that participants be in official FFA dress or casual attire with FFA insignia.
- b. The Quiz Bowl teams will consist of either three or four members and up to two alternates in grades 6, 7, and/or 8 and be active members (listed on the roster) of the New York State Association of FFA and from the same chapter.
- c. One member of the team shall be designated team captain to communicate questions and answers to the judges.

2. Contest Structure:

- a. The contest will be a single elimination tournament. Teams will take a pre-contest quiz at the state contest to determine their position in the brackets. Teams will compete against each other based on their scores in the pre-contest quiz. If there are an odd number of teams, one team will receive a bye.
- b. Each chapter planning to participate must submit fifteen toss-up questions and answers to the contest coordinator at least 30 days before the contest.

3. Judges:

- a. **The judges' decisions are final!**
- b. Three judges will be used.
- c. One judge shall ask questions, a second shall keep score the third shall keep time. Please refer to the diagram below for placement of judges.

4. Questions:

- a. There will be **15** questions in the contest each worth one point and potentially one team question.
- b. **10** questions will be FFA related and **5** will be general agriculture topics.
- c. Team Question:

- i. If three of the team members each answer one question correctly, they will be granted a team question in which all members are eligible to give input on the answer.
- ii. One designated person will give the official answer to the judges and they will be awarded points based on their answers.
- iii. The team question will have multiple parts and a team can score 1 point for each part with a maximum of 4 points.
- iv. Both teams will have the opportunity to earn a team question worth the same maximum points.

5. Buzzers:

a. Phase I - Toss-up Questions

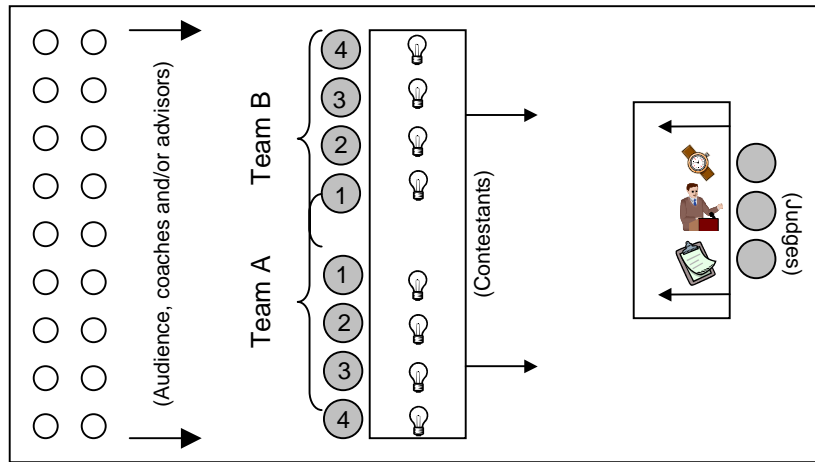
- i. The New York State Association of FFA will supply a four-buzzer system.
- ii. The judge will ask a question and both teams will have **5** seconds to buzz in.
- iii. The team that buzzes in first will have **10** seconds to discuss and answer the question.
- iv. If a team buzzes in before the entire question has been read, the reading will stop, and that team will have **10** seconds to answer the question. If the team gets the answer wrong the opposing team will be re-read the question in its entirety. They too will have **10** seconds to answer the question.
- v. If the team misses the question or goes over the time limit, the opposing team will have **10** seconds to answer the question.

b. Phase II -Team Questions

- i. These are to be answered by the team captain, or by a member designated by the team captain.
- ii. Team members may discuss the question among themselves prior to the team captain or designee starting his/her answer.
- iii. A question may only be repeated once.
- iv. Answers must start within twenty seconds.
- v. No partial credit will be given.
- vi. No loss of points for incorrect answers.

6. Contest Room:

- a. Parents, advisors and other spectators are allowed in the room; however, no one shall speak while the contest is taking place.
- b. The contest room shall be set up as follows (arrows indicate the direction individuals should face):
- c. Teams will be assigned letters and members will be assigned numbers to simplify scoring and record keeping.



= keeps score



= keeps time



= asks questions



= facing (direction)

7. Determining the winner:

- a. The team with the most points after the toss-up and team questions have been asked is the winner and will advance in the tournament. In the case of a tie, the judges will ask a series of five additional questions. The tiebreakers may be FFA or agriculture related.
- b. The two teams eliminated in the semi-finals will compete against each other for third and fourth places.

New York State Junior FFA Quiz Bowl Scorecard

Team #1 _____ Team#2 _____

Questions	Team 1		Team 2	
	Points Earned	Answered By	Points Earned	Answered By
Question #1				
Question #2				
Question #3				
Question #4				
Question #5				
Question #6				
Question #7				
Question #8				
Question #9				
Question #10				
Question #11				
Question #12				
Question #13				
Question #14				
Question #15				
Team Question				
Total				
Tie-Breaker #1				
Tie-Breaker #2				
Tie-Breaker #3				
Tie-Breaker #4				
Tie-Breaker #5				
Total				